

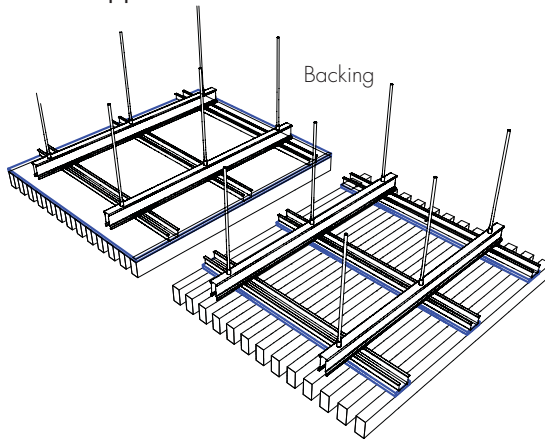
dekorform Fixing Guide

Fixing

Dekorform does not offer a proprietary fixing system for Dekorform wrapped battens. Subject to your specific application there are many fixing possibilities and commercially available systems. Engineered solutions may also need to be considered to account for ceiling structures and batten weights. As a start we recommend using a fixing technique or system ordinarily used for natural timber for either wall or ceiling; keeping in mind that MDF/LDF may need to be pre-drilled. The following are a few suggestions for fixing - refer to relative supplier for further information. When fixing in a three sided application ensure the decorative joint overlap is facing the ceiling or wall.

Possible Fixing Options

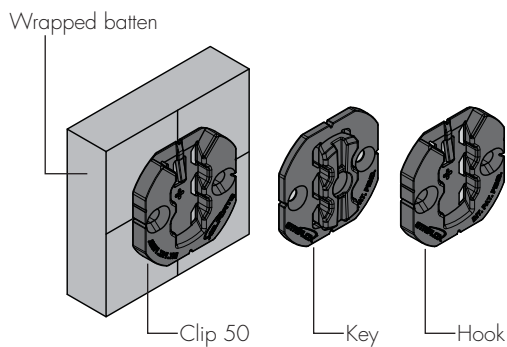
Cross Support



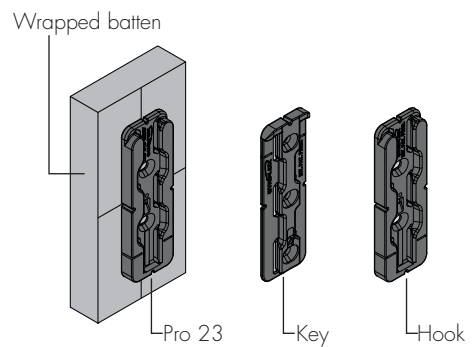
Olmurtech Tech 7 X-Tack



Striplox Clip 50

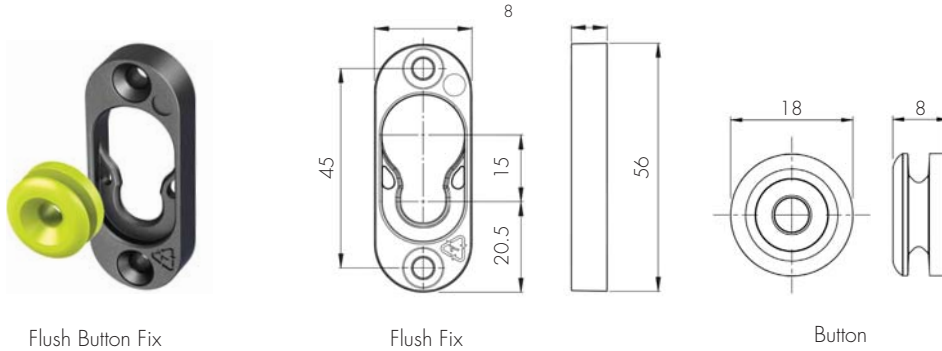


Striplox Pro 23



Possible Fixing Options

Lincoln Sentry Type 1 Flush Button Fix



Limitations and Design Considerations

- Strictly for internal use, not for use in exterior applications including alfresco areas.
- Should not be used in wet areas such as bathrooms or environments of high humidity.
- Dekorform wrapped profile battens are a non-structural product developed for decorative purposes only.
- Can be cut to length however should not be cut in a lineal direction. It is recommended to protect cut edges from moisture ingress.
- Avoid applications where product may be susceptible to high traffic flow marring.
- Dekorform wrapped profile battens should not sit on a floor as wet mopping and vacuum cleaners are likely to cause damage.
- Adhesive materials such as sticky tape, masking tape, or any sticky material may cause damage to the Dekorform decorative paper overlay when applied directly to the surface.